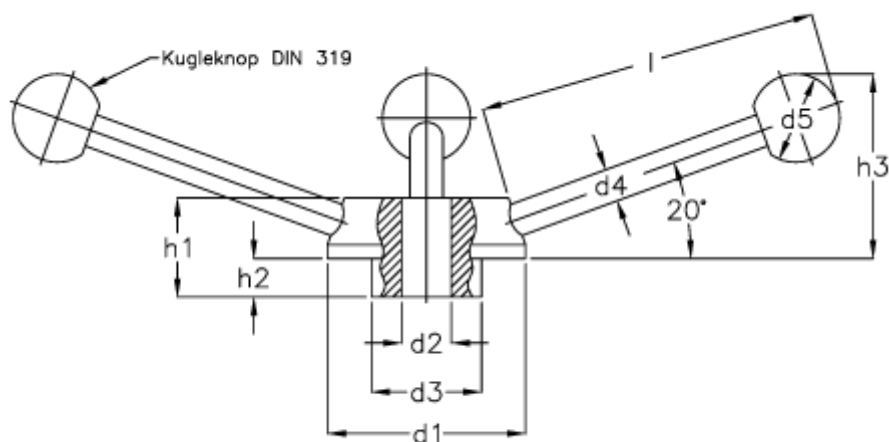


Article number: 20472235V

Description: E+G Handwheel  
GN 213-55-V 14

## Measures



$d1 = 55$   
 $d2 = B 14$   
 $d3 = 30$   
 $d4 = 10$   
 $d5 = 25$   
 $H1 = 28$   
 $H2 = 10$   
 $l = 96$